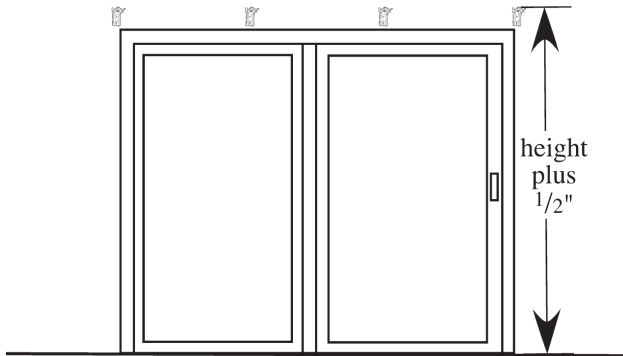


Installation

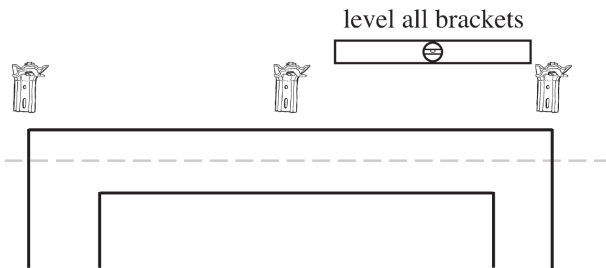
Step 1: Install Brackets

OUTSIDE MOUNT

Install the brackets approximately 1/2" higher than the unit's finished height. For example, if the Élance was ordered 84" tall, mount the tops of the brackets 84 1/2" above the floor.



The two brackets on the end should be positioned within 4" of the end of the track. Space additional brackets evenly. Mount all brackets level at the same height.

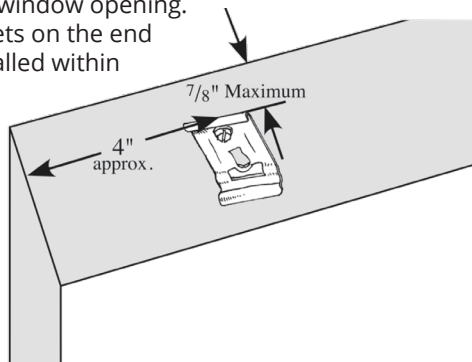


Be sure to also use all of the brackets provided. A level and well supported track will ensure smooth operation.

INSIDE MOUNT

Install the brackets no more than 7/8" back from the window opening.

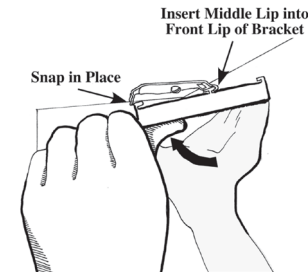
The two brackets on the end should be installed within 4" of the end of the track. Space additional brackets evenly.



Installation, continued

Step 3: Install the Track

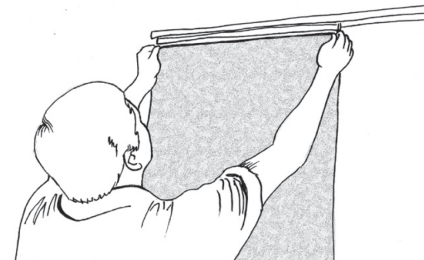
Insert the middle lip of the track into the front lip of the bracket, then snap the back into place.



Step 4: Hang the Panels

Velcro one panel onto each of the track's carriers. Care should be taken to position the panels level and firmly in place. The carriers can be disengaged from one another for easier installation by sliding them apart while pressing the back carrier towards the wall.

Step 5: Attach the Cord Tensioner



IMPORTANT

In compliance with national safety regulations **shades will not operate unless the cord tensioner is installed correctly!** After the shade is installed, the cord tensioner must be secured to the wall.

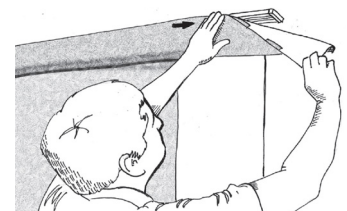
1. Locate the tensioner as close to the shade as possible without interfering with the shade.

2. The tension on the cord/chain should be loose enough to allow free movement, but tight enough not to allow a hazardous loop.



Step 6: Attach the Valance

Velcro the valance to the front of the track. For an Outside Mount, when the unit is hung on the wall above the window, the ends of the valance are creased and meant to be folded over to form valance returns.



Warning

Young children can **STRANGLE** in cord and bead chain loops. They can also wrap cords around their necks and STRANGLE.



- Always keep cords and bead chains out of children's reach.
- Move cribs, playpens, and other furniture away from cords and bead chains. Children can climb furniture to get to cords.
- Do not tie cords together. Make sure cords do not twist together and create a loop.
- Attach tension device to wall or floor. This can prevent children from pulling cords and bead chains around their necks. Fasteners provided with the tension device may not be appropriate for all mounting surfaces. Use appropriate anchors for the mounting surface conditions.
- Do not remove looped cord from cord shroud.

Limited Lifetime Guarantee

Horizons Window Fashions warrants that its Horizons products—properly installed in a residential dwelling—will be free from defects in materials and workmanship for as long as the original purchaser owns the product.

All fabric colors tend to lose their original intensity over time, and pull cords eventually wear out. This is considered normal wear and tear and is not covered by this guarantee. Abuse and misuse are not covered. Color lots vary and may not exactly match a previously ordered product. Repair is the purchaser's sole remedy under this guarantee.

This guarantee does not cover incidental or consequential damages, freight, installation, or service calls (trip charges).